

ORDER FORM

COMPANY

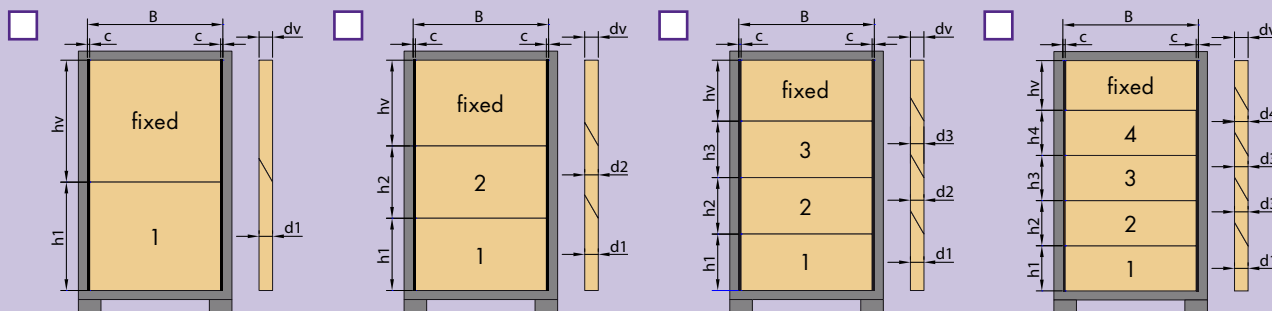
ADDRESS

TEL..... MOBILE.....

REFERENCE VAT..... E-MAIL.....

Couthoflaan 14-16 • 8972 Proven • T 057 30 11 66 • F 057 30 14 83 • www.assunta.be • info@interiortechnology.be

1. CONFIGURATION number of moving doors



# moving doors	door height in mm	door thickness in mm	cabinet depth in mm
1 2 3 4	hv	dv	D
1 2 3 4	h1	d1	clearance door/sidewall in mm
2 3 4	h2	d2	c
3 4	h3	d3	The dimensions above are mere informative but required for drawings.
4	h4	d4	
hv is a min. of 30 mm higher than h1 - h2 - h3 or h4		d is min. 18 mm thick	c is min. 1 mm and max 5 mm

recessed doors

side view

surface-mounted doors

Y value in mm.....

side view

2. BASEPACKAGE

capacity 75 kg

- ASSUNTA **Essential**
- ASSUNTA **Comfort**
- remote control

4. ACCESSORIES

*length alignment fittings = length safety rail

# moving doors	1	2	3	4
guide blocks (4/set)	<input type="checkbox"/> 1 set	<input type="checkbox"/> 2 sets	<input type="checkbox"/> 3 sets	<input type="checkbox"/> 4 sets
followers (2 blocks & 2 brackets/set)		<input type="checkbox"/> 1 set	<input type="checkbox"/> 2 sets	<input type="checkbox"/> 3 sets
ball snappers (4/set) fixed door	<input type="checkbox"/> 1 set	<input type="checkbox"/> 1 set	<input type="checkbox"/> 1 set	<input type="checkbox"/> 1 set
alignment fittings* (per piece)	<input type="checkbox"/> 4 pieces	<input type="checkbox"/> 6 pieces	<input type="checkbox"/> 8 pieces	<input type="checkbox"/> 10 pieces

3. EXTENSION

- shafts & safety rail

width (internal) cabinet in mm
B
1 moving door: cabinet width ≥ 700 mm
2 moving doors: cabinet width ≥ 730 mm
3 moving doors: cabinet width ≥ 860 mm
4 moving doors: cabinet width ≥ 990 mm

5. OPTIONS

guide rails in HPL -> 12 mm (set left & right)	<input type="checkbox"/> no	<input type="checkbox"/> yes (pto)
extension cable set -> 4 m	<input type="checkbox"/> Essential	<input type="checkbox"/> Comfort
longer belts -> 5,5 m (if sum h1+h2+h3+h4 > 1500 mm)	<input type="checkbox"/>	
stronger motor -> draagkracht 150 kg	<input type="checkbox"/>	
antenna (better reception with remote control)	<input type="checkbox"/>	

- assembly manual** (free)
- recess guide** (free)

DATE..... NAME..... SIGNATURE.....

GUIDE RAILS: possible configurations

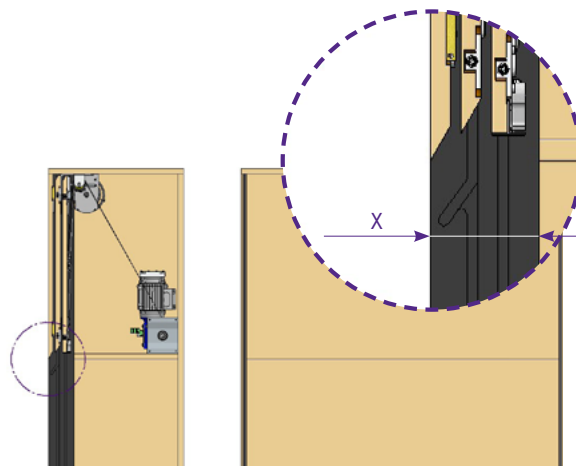
Standard

'Standard' is the base configuration in which a slot in the side is made from the front of the cabinet. (width = X)

The guide rails are glued in the slot, planar with the front of the cabinet.

Standard guide rails fitting for your cabinet, in HPL, 12 mm thick:

- black
- white



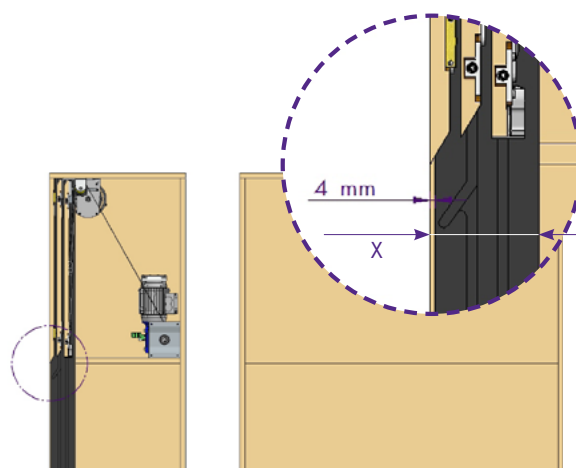
Front Covered

'Front Covered' is the configuration in which a slot in the side is made from the front of the cabinet + 4 mm. (width = X - 4 mm)

The guides are glued in the slot in the side of the cabinet, 4 mm from the front of the cabinet. The guides are not visible from front-on.

Front Covered guide rails fitting for your cabinet, in HPL, 12 mm thick:

- black
- white



Customized

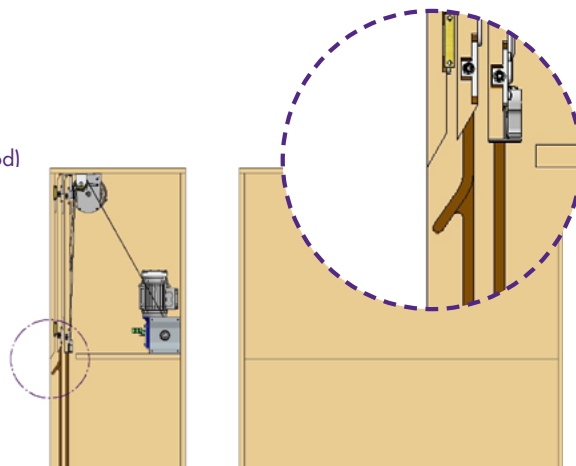
'Customized' is the configuration where the grooves for the guide rails are recessed directly into the side of the cabinet.

This can only be done if the sides are sufficiently hard. (HPL/hard wood)

Another possibility is to glue a strip of HPL in the sidewall, glue this with a layer of laminate and recess it afterwards.

This way, the guide rails are invisible and become part of the cabinet itself.

- only recess-work
- material (HPL) + recess-work



REMARKS

.....

.....

.....